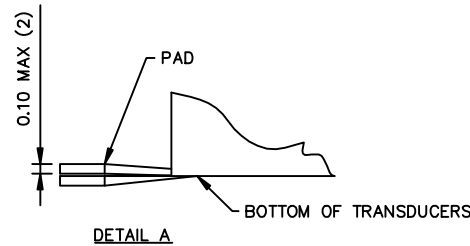
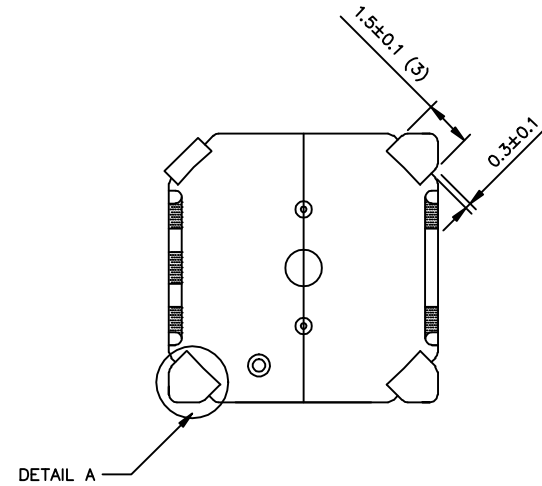
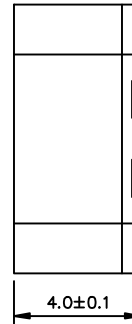
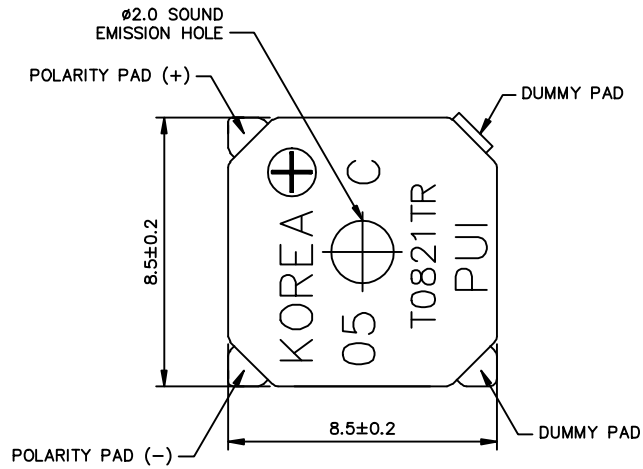


THIS DOCUMENT CONTAINS DATA PROPRIETARY TO PROJECTS UNLIMITED, INC. ANY USE OR REPRODUCTION, IN ANY FORM, WITHOUT PRIOR WRITTEN PERMISSION OF PROJECTS UNLIMITED, INC. IS PROHIBITED.
 ©2003, Projects Unlimited Inc.

SPECIFICATIONS

PARAMETERS	VALUES	UNITS
RATED VOLTAGE (SQUARE WAVE)	3.6	Vp-p
OPERATING VOLTAGE RANGE	2 ~ 5	Vp-p
RATED CURRENT (MAX)	90	mA
COIL RESISTANCE	15±3	OHM
MINIMUM SPL @ 10 CM	87	dB
RESONANT FREQUENCY	2,100±500	Hz
OPERATING TEMPERATURE	-30 ~ +70	°C
STORAGE TEMPERATURE	-40 ~ +85	°C
HOUSING MATERIAL	LCP	-
TERMINAL MATERIAL	Sn PLATED PHOSPHOR BRONZE	-
WEIGHT	0.43	grams

REVISIONS			
LTR	DESCRIPTION	DATE	APPROVED
-	RELEASED FROM ENGINEERING	9/16/05	
A	REVISED LOWER HOUSING	10/8/08	B.R.



NOTES:

1. ALL DIMENSIONS ARE IN MILLIMETERS.
2. SPECIFICATION SUBJECT TO CHANGE OR WITHDRAWAL WITHOUT NOTICE.
3. THIS PART IS RoHS 2002/95/EC COMPLIANT.

FILE NAME
SMT-0821-T-R.DWG

UNLESS OTHERWISE SPECIFIED: DIMENSIONS ARE IN MILLIMETERS, TOLERANCES ARE ±0.5 AND ANGLES ARE ±5°.		projects® unlimited Dayton, Ohio									
<table border="1"> <thead> <tr> <th>APPROVALS</th> <th>DATE</th> </tr> </thead> <tbody> <tr> <td>DRAWN <i>J.A.F.</i></td> <td>9/05</td> </tr> <tr> <td>APPROVED <i>E.P.</i></td> <td>9/05</td> </tr> <tr> <td><i>B.R.</i></td> <td>9/05</td> </tr> </tbody> </table>		APPROVALS	DATE	DRAWN <i>J.A.F.</i>	9/05	APPROVED <i>E.P.</i>	9/05	<i>B.R.</i>	9/05	TRANSDUCER(ELECTRO-MECH)	
APPROVALS	DATE										
DRAWN <i>J.A.F.</i>	9/05										
APPROVED <i>E.P.</i>	9/05										
<i>B.R.</i>	9/05										
<table border="1"> <thead> <tr> <th>SIZE</th> <th>DRAWING NO.</th> </tr> </thead> <tbody> <tr> <td>A</td> <td>SMT-0821-T-R</td> </tr> </tbody> </table>		SIZE	DRAWING NO.	A	SMT-0821-T-R	SHEET 1 OF 1					
SIZE	DRAWING NO.										
A	SMT-0821-T-R										
DO NOT SCALE DRAWING		SCALE: N.T.S.									